



# EXTREME SERIES™

POWERED BY **LiftMaster**



## CLOPAY® EXTREME™ SERIES HIGH PERFORMANCE SECTIONAL DOOR SYSTEM

The Clopay® Extreme™ Series High Performance Sectional Door System boasts an average opening speed of 24" per second, allowing productivity to flourish while also delivering the aesthetic you're looking for. Tandem nylon rollers improve roller life and reduce running noise for smooth, quiet operation while safety stays top of mind with enhanced features such as 3' of light curtain protection, a cable management system and standard cable tension monitors.

[clopaycommercial.com](http://clopaycommercial.com)



# EXTREME™ SERIES AVAILABILITY

## architectural series



EX904, EX904U,  
EX3728, EX3729, EX3708,  
EX3709, EX3208, EX3209,  
EX3158, EX3159,

## energy series with intellicore



EX3724, EX3722,  
EX3723, EX3721, EX3720,  
EX3717, EX3718, EX3715

## energy series



EX3200, EX3213,  
EX3211, EX3220, EX3150

For specific model information visit [www.clopaycommercial.com](http://www.clopaycommercial.com)

## HARDWARE FEATURES



Double end stiles  
to improve  
hinge longevity



Long stem tandem rollers  
provide longer roller life and  
quieter door operation



Cable snubbers to keep tension  
on the cable to prevent it from  
coming off of the drum



Pusher springs are used  
to prevent cable slack  
(required for standard lift track)



50,000 cycle springs standard\*

## STANDARD SPECIFICATIONS

|                   |  |
|-------------------|--|
| Max Width         | 16'2"  |
| Max Height        | 14'0"  |
| Max Door Weight   | 1,000 lbs  |
| Upward Travel     | 24" per second   |
| Downward Travel   | 15" per second   |
| Stiles            | Double end stiles (standard)   |
| Glazing Available | Tempered, insulated tempered,<br>acrylic and polygal                       |
| Springs           | 50,000 cycle standard*<br>(Max cycles available<br>on a single shaft line) |
| Track Size        | 2" angle mount track standard<br>3" track where applicable                 |
| Track Type        | Standard lift, high lift and full vertical lift                            |

\*Cycles can vary depending on door configuration.



## WINDCODE®

Design pressures (DP) up to 36 PSF  
depending on door size, configuration  
and exposure. Models tested 50% greater than DP.



# CLOPAY® EXTREME™ SERIES OPERATOR POWERED BY LIFTMASTER®

The Extreme™ Series High Performance Sectional Door System features a direct drive operator with an opening speed of 24" per second and up to 600 cycles per day. The display's easy-to-read user interface provides ease of limit-setting at floor level and can connect to the operator via Wi-Fi to myQ® Facility.

## SAFETY FEATURES



UL325 approved light curtain that reverses the door's downward motion when the beam is broken



Cable tension monitor that mitigates door operation when cable slackening occurs



Optional wireless bottom safety edge that reverses the door's downward motion upon contact with an object



## PERFORMANCE REQUIREMENTS

|                       |  |
|-----------------------|--|
| Average Opening Speed | 24" per second                                 |
| Average Closing Speed | 15" per second                                 |
| Daily Duty Cycles     | 600 cycles/day                                 |
| Max. Door Weight      | 1,000 lbs.                                     |
| Warranted Cycles      | 600 cycles per day over 2-year warranty period |
| Drive System          | Direct drive                                   |

## INSTALLATION AND COMMISSIONING

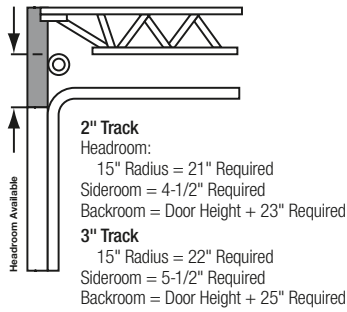
|                 |  |
|-----------------|--|
| Motor Design    | 1.25 HP configuration serving single phase 115V/230V and 3-phase 230V configurations; 3-phase 460/575V available with accessory transformer  |
| Wall Controller | Separation of low and high voltage wiring – includes functionality of 3-button station, PLUS setting door profile, programming limits, diagnostics   |
| Programming     | Complete the following programming at floor level: set limits; choose door profiles for speed; set operating modes; select photo entrapment devices  |
| Display         | Provides textual status indications including: <ul style="list-style-type: none"> <li>Absolute cycle count</li> <li>Service cycle count</li> <li>Diagnostics messages</li> <li>Door/operator status</li> </ul> |
| Cycle Counter   | Re-settable cycle counter via the wall controller and/or through myQ® Facility   |
| Limit Setting   | Simple electronic push-button setup via the wall controller  |

## CONNECTIVITY

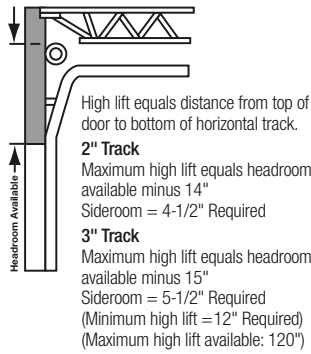
|                            |  |
|----------------------------|--|
| Wi-Fi Connectivity         | Connectable solution via built-in Wi-Fi                |
| myQ® Facility Subscription | First year myQ® Facility subscription included         |
| Over-the-Air Updates       | Standard via Wi-Fi                                     |
| Service Cycle Count        | On wall controller display; standard via myQ® Facility |
| Lifetime Cycle Count       | On wall controller display; standard via myQ® Facility |
| Remote Diagnostics         | On wall controller display; standard via myQ® Facility |

# TRACK AND MOUNTING OPTIONS

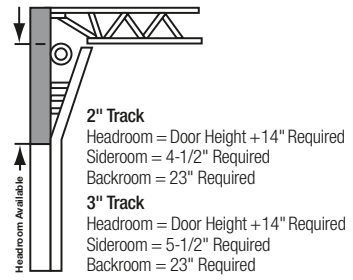
## STANDARD RADIUS



## HIGH LIFT

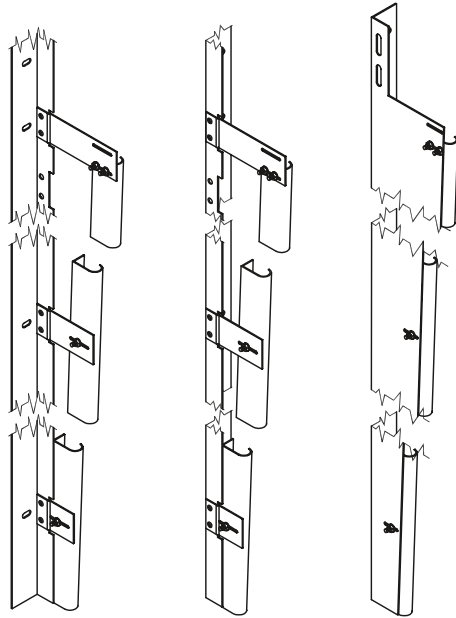


## VERTICAL LIFT



*All track types: 19-3/4" of sideroom on the operator side only is recommended to slide the operator onto the installed extended shaft. Spacing between track and door is to be 3/4".*

## VERTICAL TRACK MOUNTING OPTIONS



**2" OR 3"  
 CLIP MOUNT  
 CONTINUOUS  
 ANGLE**

**2" OR 3"  
 CLIP MOUNT  
 REVERSE  
 ANGLE**

**3" FULL TAPERED  
 REVERSE OR  
 CONTINUOUS  
 ANGLE**



For more information on these and other Clopay products, visit [clopaycommercial.com](http://clopaycommercial.com). Architects and specifiers, visit [architectdoorhelp.com](http://architectdoorhelp.com).

