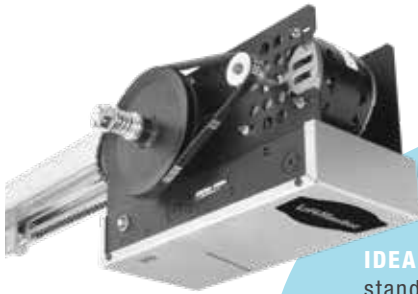


TROLLEY (MT)

# MEDIUM-DUTY COMMERCIAL DOOR OPERATOR



MEDIUM-DUTY APPLICATIONS

**IDEAL FOR**  
standard-lift sectional overhead doors with mid-range duty-cycle requirements

**SUSPENDS FROM CEILING**  
directly attaches to and controls a sectional door

**TROLLEY WITH DISCONNECT**  
disengages operator for manual lifting in an Emergency

## MONITORED ENTRAPMENT PROTECTION:

### COMMERCIAL PHOTO EYES

Indoor use; NEMA 1 rated; max. range: 30 ft.



CPS-U

### RETRO-REFLECTIVE PHOTO EYE

Photo eye and reflector with polarized beam; indoor/outdoor use; NEMA 4X rated; max. range: 50 ft.



CPS-RPEN4

### DUAL-SIDED PHOTO EYES

Flexible rubber housings resist water spray and corrosion; indoor/outdoor use; NEMA 4X rated; max. range: 45 ft.



CPS-OPEN4

### COMMERCIAL PROTECTOR SYSTEM®

Heavy-duty industrial housings; indoor/outdoor use; NEMA 4 rated; max. range: 45 ft.



CPS-UNA

### OPTICAL EDGE SYSTEM

Infrared optical sensors in a cut-to-length rubber enclosure are protected against water; indoor/outdoor use; NEMA 6 rated; max. range: 33 ft.



OES

## NON-MONITORED ENTRAPMENT PROTECTION:

### LIGHT CURTAIN

Provides 36 inches of increased zone coverage for additional protection; indoor use; requires separate power source (100MAPS); max. range: 33 ft.



LC-36A

## TOTAL SOLUTION ACCESSORIES:

### TRI-COLOR 3-BUTTON REMOTE CONTROL

OPEN/CLOSE/STOP functionality, with easy code selection, 9-position trinary DIP switches with 19,683 changeable codes per channel.



333LM

### REMOTE CONTROLS

Program one or up to three LiftMaster operators. With Security+ Rolling Code Technology 315 MHz, users are assured of a new code with every use.



373LM/371LM

### WIRELESS KEYPAD

NEMA 4X (water protection requirements) sealed electronics for reliable outdoor use; provides additional compatibility with Security+ Technology.



KPW250

## PROVEN PERFORMANCE

**MEDIUM-DUTY LOGIC** PROGRAMMABLE INTEGRATED CIRCUIT BOARD.

### BUILT-IN 3-CHANNEL SECURITY+® RECEIVER:

- ALLOWS YOU TO LEARN/PROGRAM UP TO (20) LIFTMASTER® 315 MHz REMOTE CONTROLS.
- RECOGNIZES SECURITY+ AND DIP SWITCH REMOTE CONTROLS.
- COMPATIBLE WITH 3-BUTTON, 3-COLOR REMOTE CONTROLS FOR OPEN CLOSE/STOP OPERATION. (333LM)

## SAFE AND SECURE

**INTEGRATED TIMER-TO-CLOSE (TTC)** PROGRAMMABLE FROM 5 TO 60 SECONDS IN 5-SECOND INCREMENTS. ALLOWS FOR TIMED AUTOMATIC DOOR CLOSURE AFTER THE DOOR REACHES THE FULL OPEN POSITION.

**EMERGENCY MANUAL OPERATION** SPRING LOADED DISCONNECT FOR EMERGENCY MANUAL OPERATION.

**THE COMMERCIAL PROTECTOR SYSTEM** AUTO-REVERSES THE CLOSING DOOR IF AN ENTRAPMENT PROTECTION DEVICE DETECTS AN OBSTRUCTION.

UL 325 REQUIRES ALL COMMERCIAL DOOR OPERATORS TO BE EITHER CONSTANT PRESSURE TO CLOSE OR BE EQUIPPED WITH A PRIMARY EXTERNAL MONITORED ENTRAPMENT DEVICE.

## RELIABLE

**HIGH-STARTING TORQUE MOTOR** WITH OVERLOAD PROTECTION.

**WARRANTY** 2 YEARS.

LiftMaster offers accessory solutions for any commercial application. View the full product lineup at [LiftMaster.com](http://LiftMaster.com)

PRODUCT GUIDE MT  
MEDIUM-DUTY TROLLEY  
COMMERCIAL OPERATOR

**LiftMaster**

# MASTERFUL ENGINEERING.

## MOTOR



- Instant Reverse
- Capacitor Start and Overload Protection
- Removable Without Affecting Limit Switch Settings
- **Duty Cycle:** Maximum 12 Cycles per Hour;  
Less than 50 Cycles per Day

## POWER



- 1/2 HP, 115V Single-Phase Motor
- 24V NEC Class 2 Control Circuit

## COMMERCIAL-GRADE DESIGN



- **First-Stage Heavy-Duty 4L V-belt;** Second and Third Stages #48 Chain
- **Optional:** Heavy-Duty Solenoid-Actuated Brake (BMT)
- **Spring Loaded Disconnect** for emergency manual operation
- **Maximum Door Height:** 14 Feet

# STANDARD SPECS.

### BUILT-IN 315 MHZ RECEIVER

- 315 MHz radio receiver is integral to the Medium-Duty Logic board
- Accepts up to (20) LiftMaster® Security+® remote controls and unlimited DIP switch remote controls

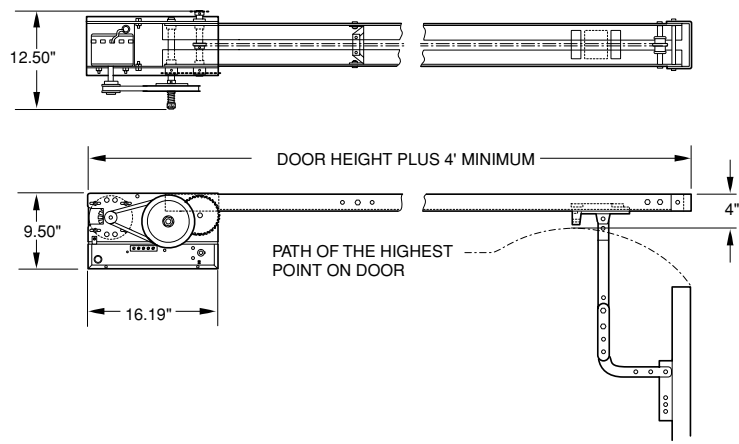
### WIRING

- All operators are factory preset to C2 mode, providing momentary contact to open and stop, with constant contact to close. Monitored entrapment protection, using approved photo sensors or sensing edges, is optional, although recommended, when using this wiring type
- Momentary contact to close (B2 mode) is an available optional wiring type, but can only be selected when the appropriate LiftMaster Monitored Entrapment Protection Device is installed, either photo eye or the directly wired Optical Edge System

### CONSTRUCTION

- Heavy-duty oil-filled bushings
- Adjustable friction clutch helps protect against damage to the door and operator should the door meet an obstruction
- NEMA 1 type electrical box, heavy-duty 11-gauge steel frame with baked-on powder-coat finish, all reduction sprockets drilled and pinned to shafts
- Rail Assembly provides high-strength dual L-rail track with exclusive nylon quick-gliding chain guides on rail spacers for quiet, smooth operation. Includes quick-mount swivel header bracket, providing fast, swing-up installation.

### MOUNTING DIMENSIONS



### MAXIMUM DOOR AREA (SQ. FT.)

SECTIONAL	FIBERGLASS	24 GA., 22 GA. STEEL ALUMINUM DOORS	20 GA. STEEL WOOD DOORS	16 GA. STEEL	-
	-	-	24 GA. STEEL INSULATED	20 GA. STEEL INSULATED	16 GA. STEEL INSULATED
<b>SQ. FT.</b>	310	260	225	150	100

NOTE: ON STEEL-INSULATED DOORS, A 24 GA. BACK PANEL IS ASSUMED.

# ACCESSORIES/MODIFICATIONS.

- **SINGLE BUTTON CONTROL:** Provides an additional input for single-button control functionality. Required for installation of any external radio receiver (LiftMaster 850LM). **Recommended for factory installation (90-MSLBC);** field kit also available (71-MLSBC)
- **AUXILIARY LIMIT SWITCHES:** Provides additional limit switches with dry form C contacts at the open and closed door positions to control auxiliary devices such as lights, heaters, dock levelers, etc. **Must be factory installed;** Terminal Block Connections (90-210MTOC) or with Wire Leads (90-9210MOC)
- **INTERLOCK SWITCH:** Disables the operator control circuit when door is locked, preventing damage to the door and operator. Rolling Door Interlock (50401); Sectional Door Interlock (50450)

Note: LiftMaster Medium-Duty Operators have a limited number of modifications available. For additional robust features and to customize your application with our full suite of factory installed and field modifications upgrade to Logic 5.0. Visit [Catalog.LiftMaster.com](http://Catalog.LiftMaster.com) for more product information.