

APARTMENT TROLLEY (APT)

LOGIC 5.0 COMMERCIAL DOOR OPERATOR



INDUSTRIAL-DUTY APPLICATIONS

HIGH-CYCLE, SECTIONAL OVERHEAD APARTMENT DOORS
Over 100 Cycles per Day

RENTAL AND RETAIL ENVIRONMENTS
Resilient-Mount Motor Ensures Quiet Operation

QUICK DISCONNECT TROLLEY WITH AUTO-RECONNECT
Saves Time and Eases Reconnection

SMART

MyQ® TECHNOLOGY ENABLES MONITORING AND CONTROL OF THE FACILITY OPERATORS THROUGH A MOBILE APP.

GRID VIEW TO EFFICIENTLY MONITOR ALL THE DOORS IN THE FACILITY.

REAL-TIME ALERTS INDICATE THE STATUS OF DOORS VIA EMAIL OR PUSH NOTIFICATIONS.

CONNECTIVITY REQUIRES PURCHASE OF INTERNET GATEWAY (828LM) OR MyQ HOME BRIDGE (819LMB), SOLD SEPARATELY.

SAFE AND SECURE

SECURITY+ 2.0® SAFEGUARDS FACILITY ACCESS WITH ROLLING CODE TECHNOLOGY, OPENING FOR REGISTERED DEVICES ONLY.

TIMER-TO-CLOSE CAN BE PROGRAMMED TO CLOSE THE DOOR AFTER A SET AMOUNT OF TIME.

THE COMMERCIAL PROTECTOR SYSTEM® AUTO-REVERSES THE DOOR IF AN ENTRAPMENT PROTECTION DEVICE DETECTS AN OBSTRUCTION.

UL 325 REQUIRES ALL COMMERCIAL DOOR OPERATORS TO BE EITHER CONSTANT PRESSURE TO CLOSE OR BE EQUIPPED WITH A PRIMARY EXTERNAL MONITORED ENTRAPMENT DEVICE.

RELIABLE

CONTINUOUS-DUTY HIGH-STARTING TORQUE MOTOR PERFORMS IN DEMANDING INDUSTRIAL OVERHEAD DOOR APPLICATIONS.

WARRANTY 2 YEARS.

BEYOND INDUSTRY STANDARDS: LIFTMASTER® IS COMMITTED TO QUALITY PRODUCTS, INNOVATIVE DESIGN AND COMPREHENSIVE SERVICES.

MONITORED ENTRAPMENT PROTECTION:

COMMERCIAL PHOTO EYES

Indoor use; NEMA 1 rated; max. range: 30 ft.



CPS-U

RETRO-REFLECTIVE PHOTO EYE

Photo eye and reflector with polarized beam; indoor/outdoor use; NEMA 4X rated; max. range: 50 ft.



CPS-RPEN4

DUAL-SIDED PHOTO EYES

Flexible rubber housings resist water spray and corrosion; indoor/outdoor use; NEMA 4X rated; max. range: 45 ft.



CPS-OPEN4

COMMERCIAL PROTECTOR SYSTEM

Heavy-duty industrial housings; indoor/outdoor use; NEMA 4 rated; max. range: 45 ft.



CPS-UN4

OPTICAL EDGE SYSTEM

Infrared optical sensors in a customizable rubber enclosure are protected against water; indoor/outdoor use; NEMA 6 rated; max. range: 33 ft.



OES

NON-MONITORED ENTRAPMENT PROTECTION:

LIGHT CURTAIN

Provides 36 inches of increased zone coverage for additional protection; indoor use; max. range: 33 ft.



LC-36A

TOTAL SOLUTION ACCESSORIES:

ENCRYPTED DIP 3-BUTTON, 3-COLOR REMOTE CONTROL

Extreme-range remote programmable for open/close/stop operation.



813LM

INTERNET GATEWAY

Enables smartphone monitoring and control of each operator.



828LM

RED/GREEN TRAFFIC LIGHT

High-intensity LED lights indicate the door status for safe exit and entry in any light (TLS1CARD recommended).



RGL-CTL

LiftMaster offers accessory solutions for any commercial application. View the full product lineup at LiftMaster.com

MASTERFUL ENGINEERING.

MOTOR

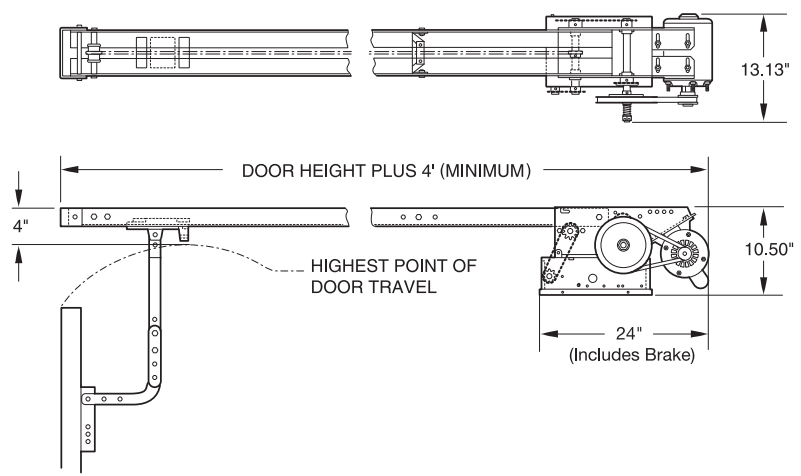
- Available in 1/2 HP
- Instant Reverse and Overload Protection
- Capacitor Start on Single-Phase
- Removable without Affecting Limit-Switch Settings

POWER

- Dual-Voltage Connections
 - Single-Phase: 115V and 230V
- Customizable Voltage to Meet Job Requirements
- 5V DC NEC Class 2 Control Voltage

COMMERCIAL-GRADE DESIGN

- **Industrial Ball Bearings** on Output and First Reduction Shafts with Bearings on Second Reduction Shaft
- **Emergency Disconnect** for Manual Lifting in an Emergency with Auto-Reconnect Feature
- **Solenoid Brake** Standard on All Models
- **Drive Reduction:** Heavy-Duty 5L V-Belt (First Stage); #41 Chain (Second and Third Reductions); Additional Drive Reduction for Higher-Duty Cycle
- **Trolley Chain:** #48



		MAXIMUM DOOR AREA (SQ. FT.)			
STANDARD SECTIONAL		24 GA., 22 GA. STEEL	20 GA. STEEL	16 GA. STEEL	-
		ALUMINUM DOORS	WOOD DOORS	-	-
		FIBERGLASS DOORS	24 GA. STEEL INSULATED	20 GA. STEEL INSULATED	16 GA. STEEL INSULATED
HP	1/2	250	225	150	100

STANDARD SPECS.

SECURITY+ 2.0® RADIO RECEIVER

- ACCEPTS:
- (30) 3-Button Remote Controls or (90) 1-Button Remote Controls
 - Additional 30 Wireless Keypads
 - Unlimited DIP Switch Remotes

WIRING

- Control Function Selector Dial Allows Easy Selection of 7 Wiring Types to Meet Users' Needs
- C2 (Constant Pressure to Close) Wiring Preset
- Wiring Types B2, T, TS and FSTS Can Be Selected with the Addition of an Entrapment Protection Device
- Monitored Entrapment Protection Is Recommended When Using C2, D1 or E2
- Logic 5.0 Operators Only Accept UL-Approved LiftMaster® Entrapment Protection Devices

CONSTRUCTION

- NEMA 1 Type Electrical Box
- Heavy-Duty 11-Gauge Steel Frame with Durable Powder-Coated Finish
- All Reduction Sprockets Drilled and Pinned to Shafts
- Mid-Stop Enables Partial Openings to a Programmed Position for Environmental Control and Time Savings
- Adjustable Friction Clutch Protects the Door and Operator from Damage and Obstructions

MODIFICATIONS AND ACCESSORIES. BUILT FOR ANY APPLICATION.

- **TLS1CARD:** Timer Light Status Plug-In Option Card (Typically Used to Control Red/Green Traffic Light and Audible Devices)
- **AUXCARD:** Auxiliary Contacts Plug-In Option Card (with Relays That Change State While the Door Is Moving and When the Operator Is Powered Down)
- **Auxiliary Limits:** Auxiliary Limit Switches at Open and Closed Limits to Control Lights, Heaters, Dock Levelers and Other Auxiliary Devices

For more detailed information or to configure your model number, please visit Dealer.LiftMaster.com